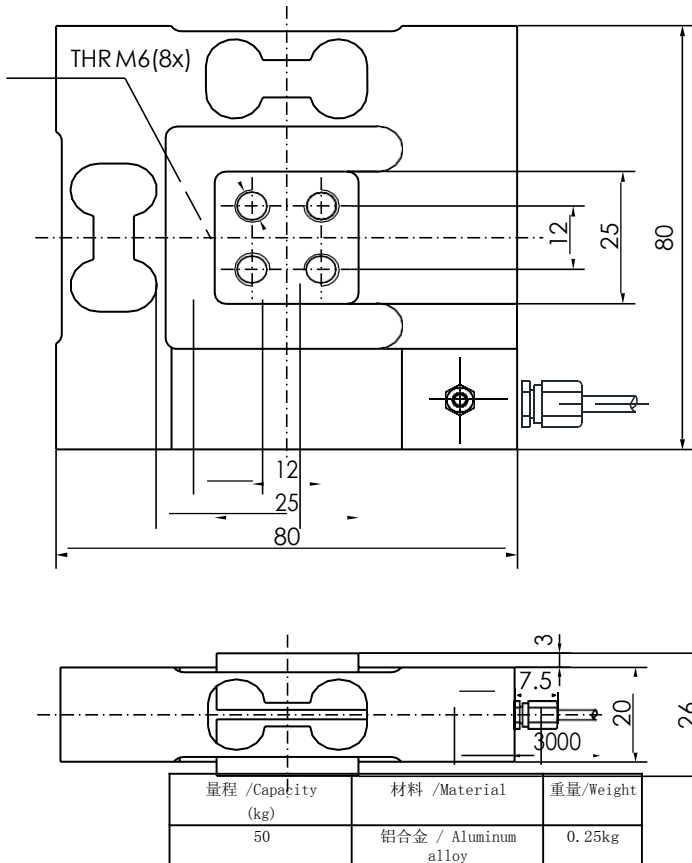


Multi component force sensor ZHSF01

尺寸及量程 / Size and Capacity



注：三个方向的力的相互干扰误差 ≤ 5%。
Note: Interference among three dimensions ≤ 5%.

技术参数 / Technical Parameters

参数	Specifications	技术指标/Technique (Fx,Fy,Fz)
输出灵敏度	Rated output	2.0±10% mV/V
零点输出	Zero balance	± 2% F.S.
综合误差	Total error	0.5% F.S.
非线性	Non-Linearity	0.5% F.S.
温度灵敏度漂移	Temp. effect on output	0.5% F.S. / 10°C
零点温度漂移	Temp. effect on zero	0.5% F.S. / 10°C
输出电阻	Output impedance	350± 5Ω
激励电压	Recommended excitation	5~10V
最大激励电压	Maximum excitation	15V
工作温度范围	Operation temp. range	-10~60°C
安全超载	Safe overload	150% F.S.
极限超载	Ultimate overload	200% F.S.
电缆线尺寸	Cable size	Ø 2.8×3000mm
防护等级	Protection class	IP65
连接方式	Cable color code	Power:Exc+(Red) Exc-(Black); Fx: Sig+(Green) Sig-(White); Fy: Sig+(Blue) Sig-(Yellow); Fz: Sig+(Brown) Sig-(Grey); 电 压: 输入+(红) 输入-(黑); Fx: 信号+(绿) 信号-(白); Fy: 信号+(蓝) 信号-(黄); Fz: 信号+(棕) 信号-(灰);



特点和用途 / Features & Applications

- 三维力的测量
- 铝合金材料
- 坚固耐用, IP65
- 相互干扰误差小
- 用于机器人手过载保护
- 自动化工具, 用于测试机组
- 形状和尺寸可定制
- Three dimensional force sensor
- Made of aluminum alloy
- Rugged structure, IP 65 protection
- Small interference among three dimensions
- Used as overload protection on robot heads for automation tools, or test rigs
- Shape and size can be customized

受力方式 / Load Direction

